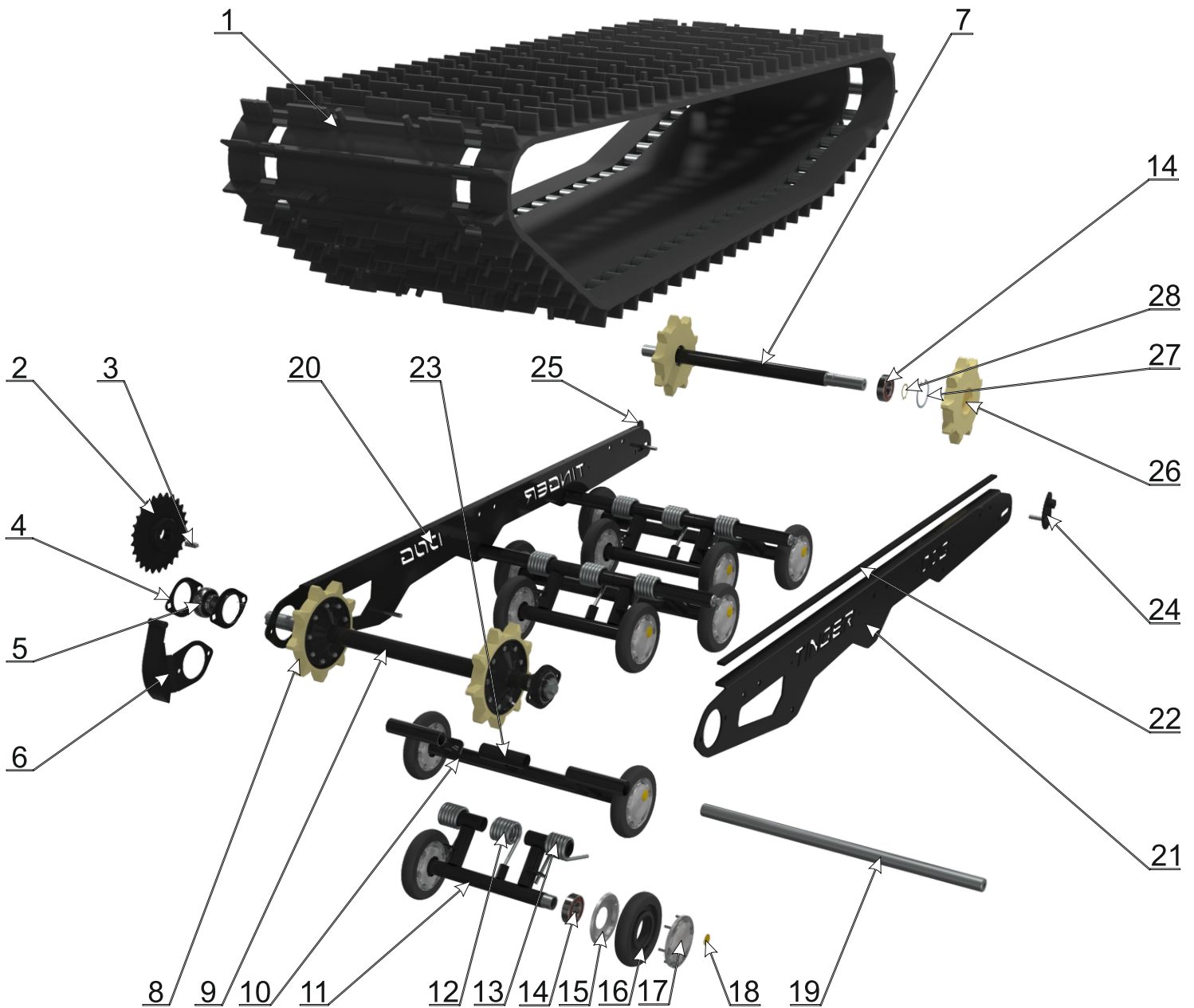


Chassis.....2

Transmissioan and power unit.....4

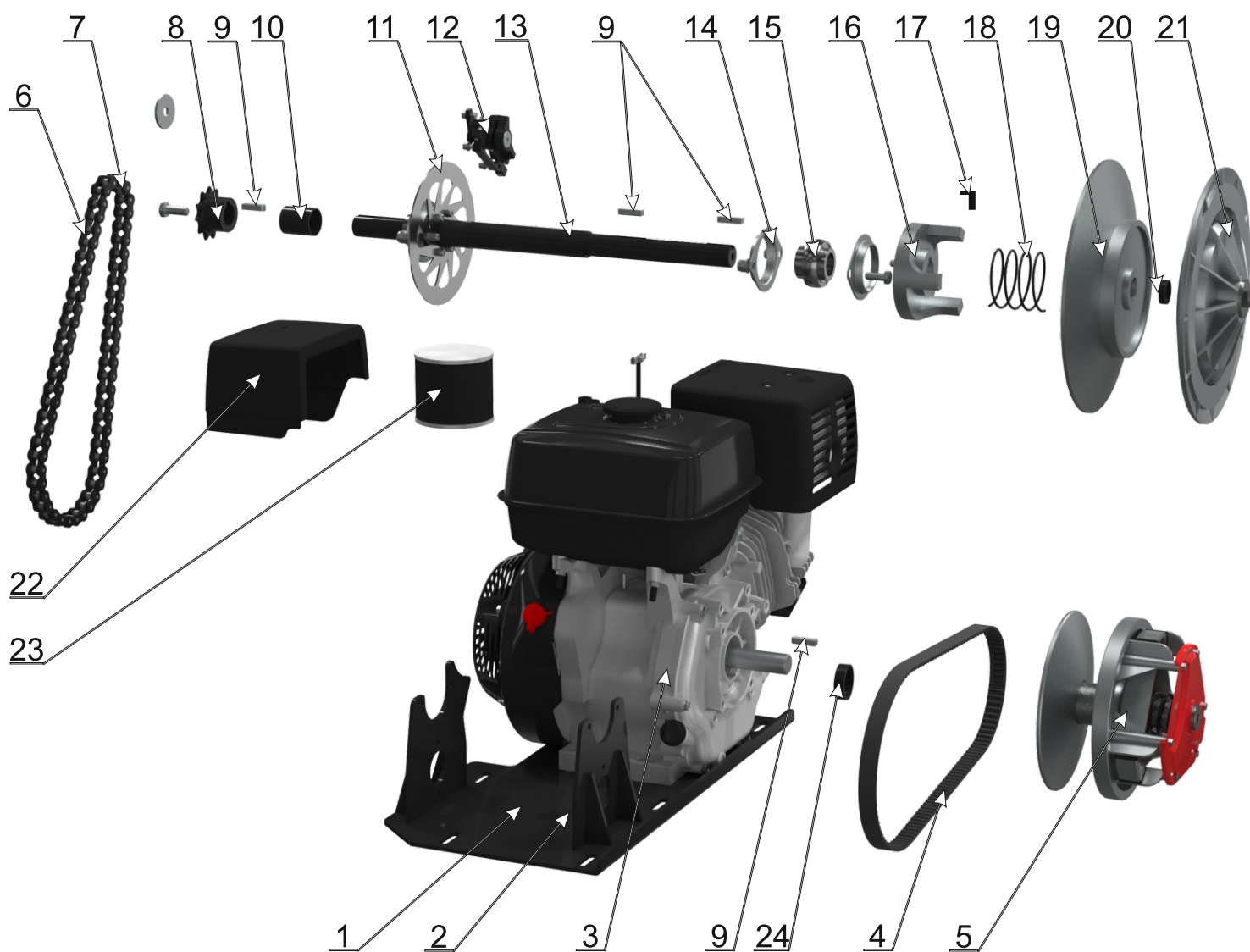
Steering.....6

Housing and frame.....7



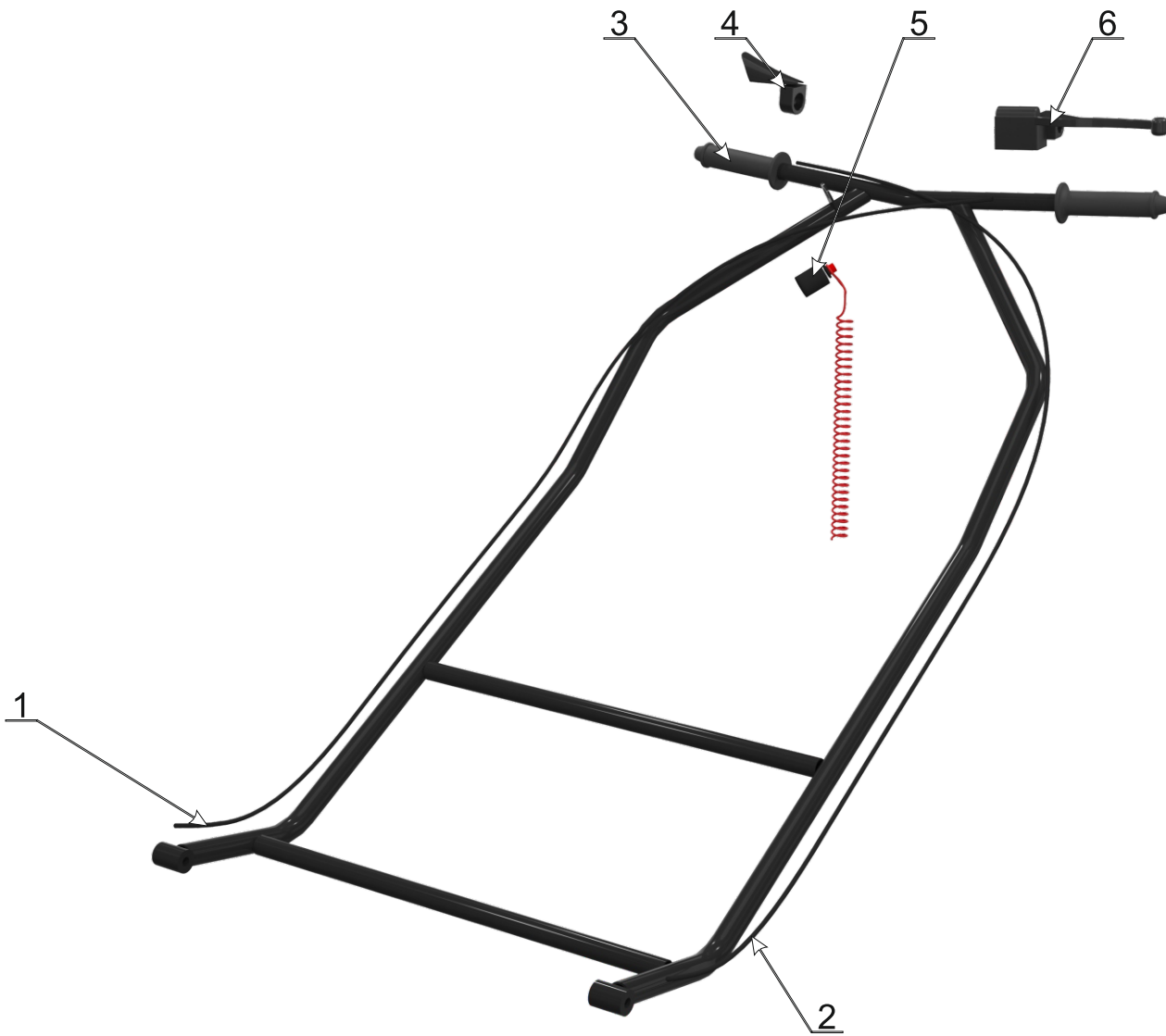
Nº position	element's name	catalogue number	amount
1	Track 500x2828	00000008630	1
2	Driven sprocket Z26 with 15,875 step	00000008793	1
3	Transmission key 8x7x28	00000009194	1
4	Bearing housing UC205	00000008652	4
5	Bearing UC205	00000008651	2
6	Chain protection casing	00000008789	1
7	Driven shaft	00000008716	1
8	Track's drive sprocket	00000008618	2
9	Drive shaft	00000008786	1
10	Trolley big frame	00000008791	3
11	Trolley small frame	00000008790	3

12	Track slide guides' short retainer spring (right)	00000008632	3
13	Track slide guides' short retainer spring (left)	00000008631	6
14	6205 closed bearing	00000000997	14
15	Inner roller cheek	00000008899	12
16	Wide roller rim	00000008901	12
17	External roller cheek	00000008900	12
18	External roller cheek plug	00000008904	12
19	Trolley axis	00000008708	3
20	Chassis sidewall (right)	00000008742	1
21	Chassis sidewall (left)	00000008741	1
22	Track guide	00000009193	2
23	Trolley bushing L=93	00000008723	3
24	Track tensioner (left)	00000008788	1
25	Track tensioner (right)	00000008820	1
26	Track driven sprocket	00000008619	2
27	Inner retaining ring Ø52x1,7	00000001393	2
28	External retaining ring Ø25x1,2	00000008646	2

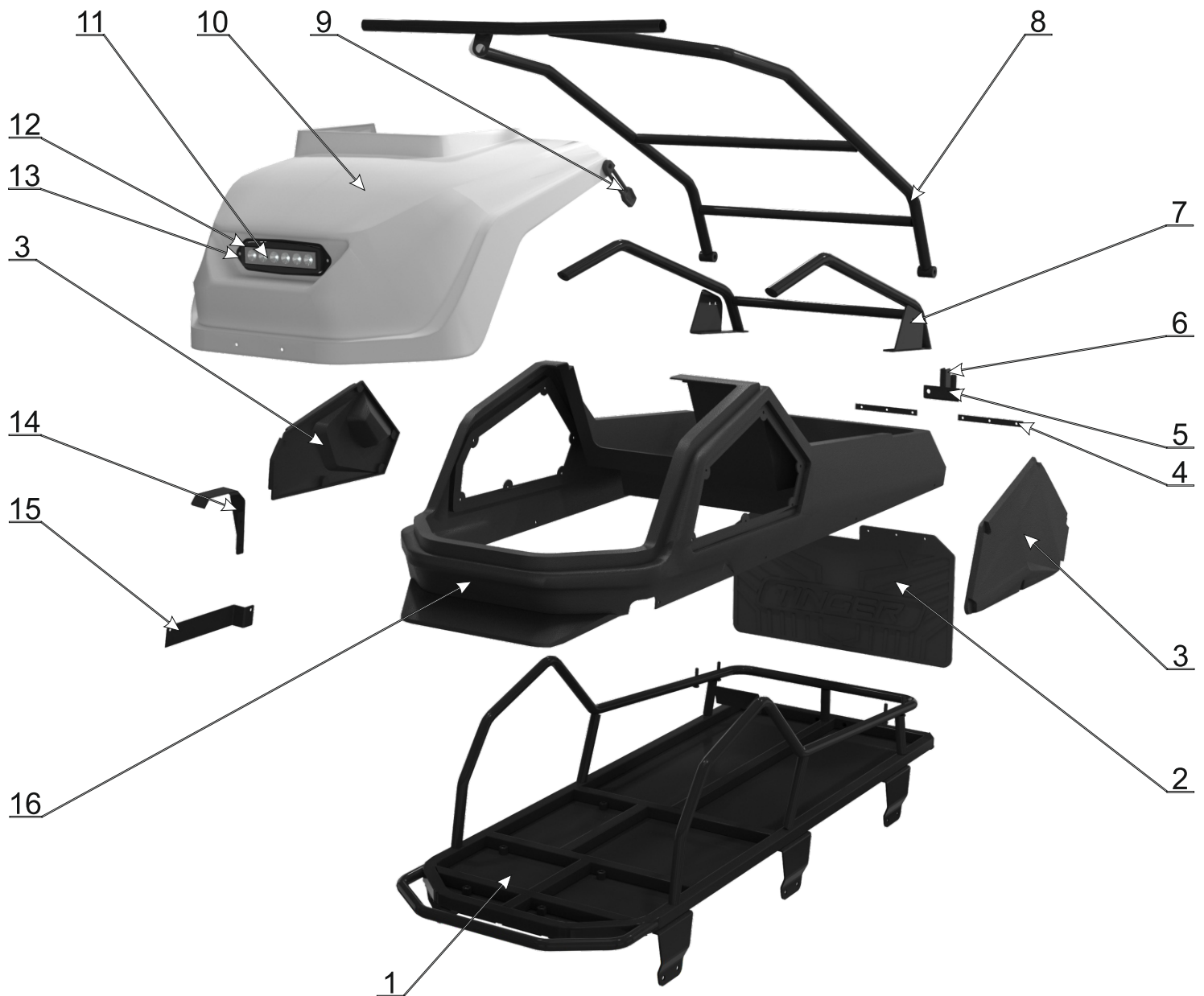


Nº position	element's name	catalogue number	amount
1	Underframe	00000008794	1
2	Voltage equilizer 12V	00000008629	1
3	Lifan 190F D25 engine, 7A	00000008602	1
4	CVT belt 33x14 L=1120	00000008628	1
5	Safari drive CVT	00000007383	1
6	Chain lock 18,875-23-1	00000008669	1
7	Single strand chain 18, 875-23-1	00000008633	1
8	Sprocket Z=11 15,875	00000008659	1
9	Transmission key of 104th shaft 3-8x7x28	00000009194	3
10	Spacer sleeve L=39	00000008822	1
11	Brake disk	00000008627	1
12	Braking calliper	00000008626	1

13	Driven CVT shaft	00000008792	1
14	Bearing casing UC205	00000008652	4
15	Bearing UC205	00000008651	2
16	Half-coupling	00000009197	1
17	Transmisson inlay	00000009199	3
18	Transmission spring	00000009198	1
19	Movable transmission disk	00000009196	1
20	Driven CVT distance waher	00000008752	1
21	Immovable transmission disk	00000009195	1
22	Air filter casing	00000009367	1
23	Air filter	00000010346	1
24	Spacer bushing L=10	00000008823	1



Nº position	element's name	catalogue number	amount
1	Brake cable L=3000mm	00000008673	1
2	Throttle cable L=3000mm	00000008622	1
3	Handlebar handle	00000008621	2
4	Assembled throttle handle "Тайга"	00000007237	1
5	Emergency stop pin	00000008625	1
6	Brake handle	00000008623	1



Nº position	element's name	catalogue number	amount
1	Frame	00000008797	1
2	Mudguard	00000008828	1
3	Side caps of towing vehicle	00000009284	2
4	Mudguard plate	00000008775	2
5	Hitch	00000009182	1
6	Hitch locker	00000009185	1
7	Railing	00000008804	1
8	Handlebar frame	00000008801	1
9	Bonnet fastener	00000009648	2
10	Towing vehicle bonnet	00000008827	1
11	LED headlight	00000009366	1

12	Headlight fastener	00000009502	1
13	Headlight fastener (front element)	00000009501	1
14	Chain protection	00000009565	1
15	Chain protection casing's bracket	00000008748	1
16	Towing vehicle housing	00000008830	1